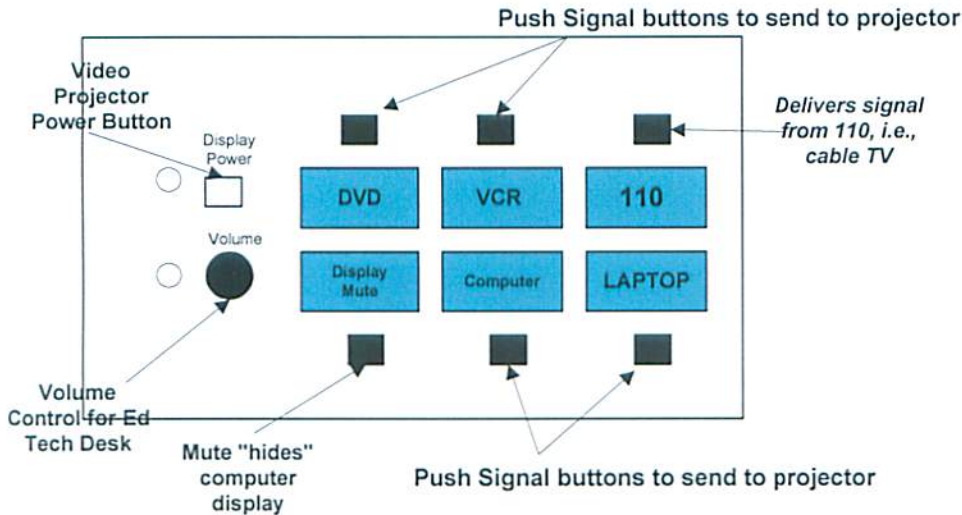


MediaLink (MLC) Controller - top of Desk

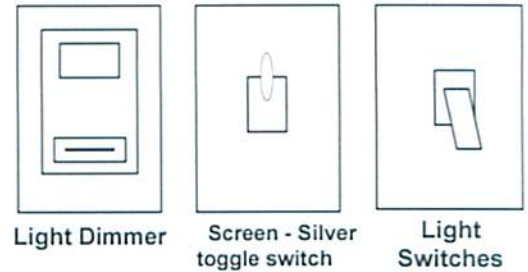


Problems? or if "LAMP" flashes yellow on screen, Use telephone inside Desk and Call Video @5-9136 or IT Helpline @5-9124

Black "Well" beside MLC Controller - NOTE: Leave door open!

- INCLUDES:
- (2) electrical outlets
 - (1) laptop hookup cable
 - (1) ethernet cable for network
 - (1) audio cable for laptop

Screen and Light Switches



1. To turn on video projector (VP) press for 1 second, then release "Display Power" button on **MediaLink (MLC) Controller**; Buttons flash fast several seconds. VP takes 90 seconds to full brightness

NOTE: You cannot switch Signal buttons until "Display Power" button stops flashing

2. While VP is warming up, turn on equipment to be used; firmly pull out keyboard tray to lock

NOTE: SEE instructions attached:

- "Log-In Instructions" - to access classroom Network or your M drive
- "Wireless Mouse Instructions" - e.g., how to use Mouse with Power Point

3. Lower screen (automatically stops) and adjust lights, using switches on wall near Desk

4. Display various equipment signals on screen by pressing black Signal buttons (NOT blue!) on **MLC Controller**. Contact Video @ 335-9136 to add equipment to Desk.

To see document camera, press "Laptop" button on **MLC Controller**
To see camcorder, press "VCR"

NOTE: To "hide" computer image until ready to display, press the "Display Mute" button

5. Adjust volume by using black "Volume" knob, located under "Display Power" button on **MLC Controller**

NOTE: For ICN cable cast only, control volume using "PA System Volume" dial on wall)

6. When finished, LOG OFF computer, return tray inside Desk (push tray firmly), place wireless mouse on cradle, put up screen. TURN OFF equipment, especially VP, to preserve lamp. (However, IF NEXT INSTRUCTOR uses, leave VP on) To turn off VP, press for 1 second then release "Display Power" button on **MLC Controller**. Button will flash slowly 2-3 minutes while turning off VP. VP fan will run until lamp is cooled

WARNING !

The **MLC Controller** is programmed to shut off projector if a selection button isn't pushed after 4 hours.

Pushing one of buttons will start the **Controller's** "timer counting" again so no disruption of signal. Or you can push the Display Power Button again to restart the projector.

NOTE: You cannot restart VP until "Display Power" button stops flashing